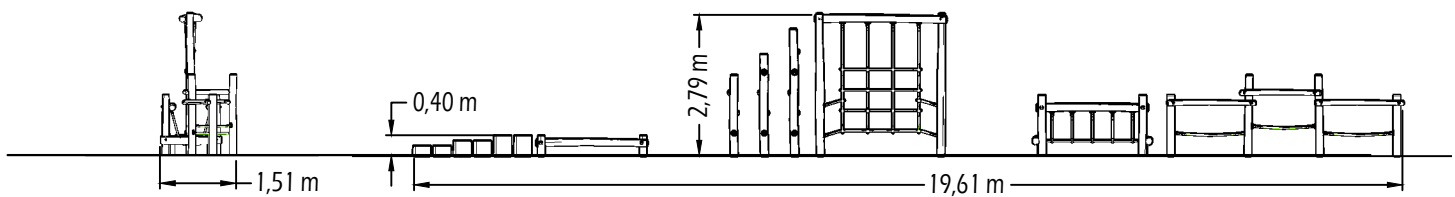
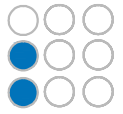


Motor inclusion
Sensory inclusion
Mental inclusion



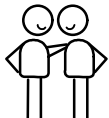
Play Value 16

Climbing



X1

Meeting



X3

Balancing



X6

Climbing



X1

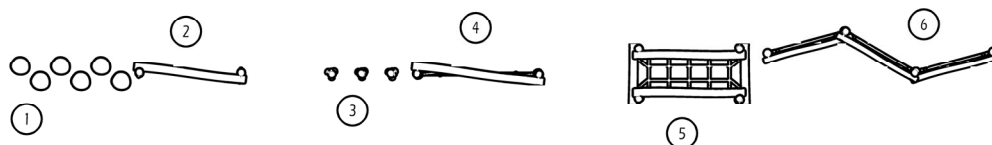
Crossing



X5

Components

- ① Japanese steps
- ② Balancing beam
- ③ Climbing pasts
- ④ Vertical net
- ⑤ Suspended net
- ⑥ Rope walk way



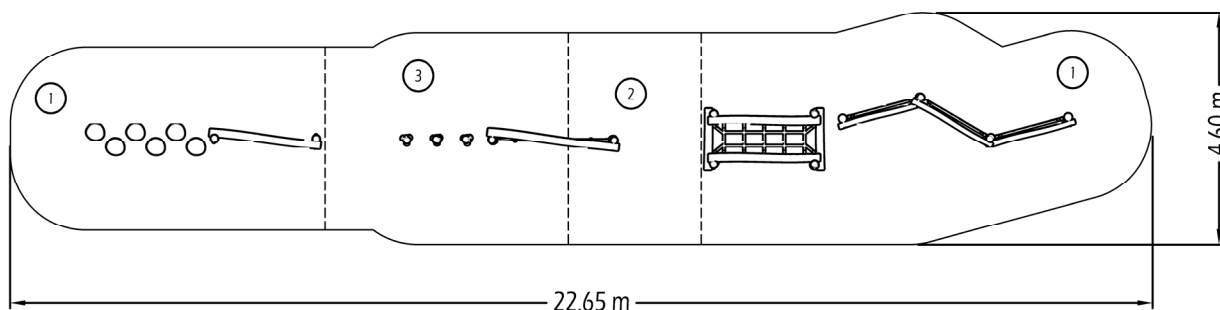
Installation of equipment

IMPORTANT: It is essential to refer to the installation instructions for information on the size of the safety areas.

- Impact area (minimum normative surface)
- - - - - Free space



1	0,60m	78,50m ²
2	1,70m	11m ²
3	2,10m	19,50m ²



2

7h00

1,28m³

87m²

927 kg

400 kg



EN

1176